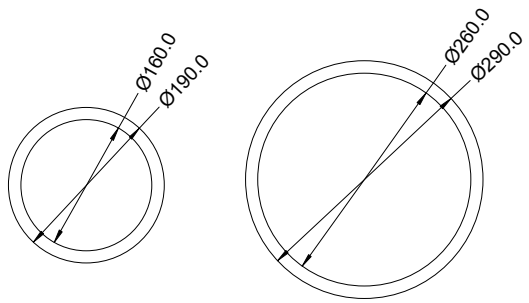


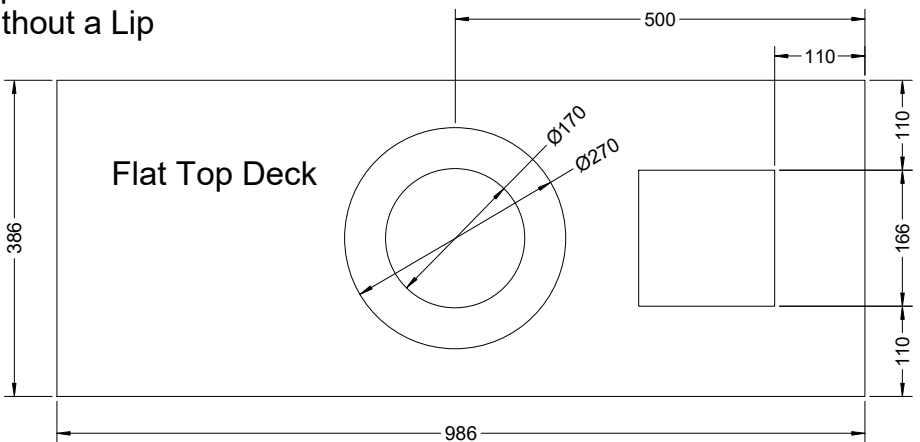
Rings to support the cut-outs
2 TO 3 mm thick



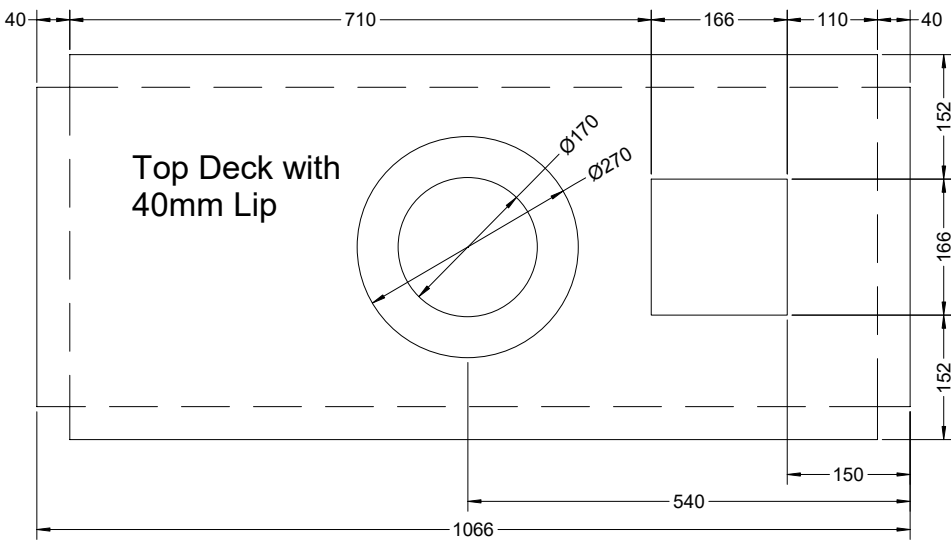
Model 4 A and B
Version 1.42
23 Feb 2017

C Pemberton-Pigott

Top Deck Outside dimensions
Without a Lip



This top deck has a no lip and needs more bolts so as not to bend



This top deck has a 40mm folded lip all round.

